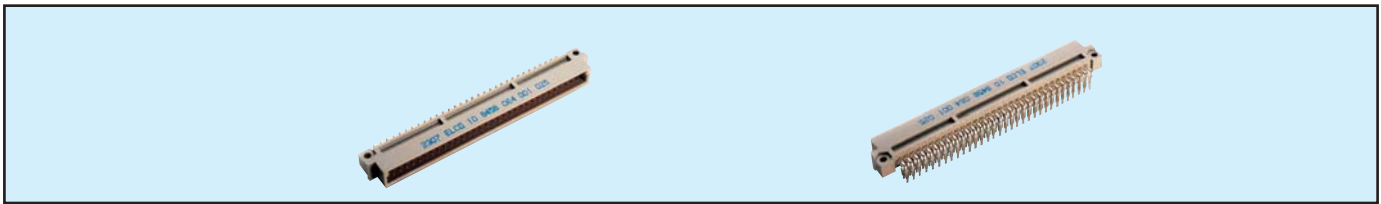


Male Style B Press-Fit



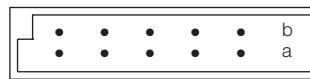
Series 8458 – 2 rows (2 x 32)



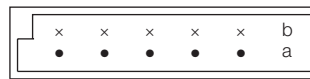
Contact Design and Termination Length	Number of Contacts	Loading Description	Part Number	
			Performance classes according to DIN 41612	
			II	I
for ≥ 2.4 mm PCB's 5.3 mm (Y) Right Angled	64	a + b fully loaded	10 8458 064 001 025	10 8458 064 001 049
	32	a loading only	10 8458 064 001 027	10 8458 064 001 051
	62 + 2	fully loaded + ground	10 8458 064 101 025	10 8458 064 101 049
for 1.6 mm PCB's 3.0 mm (Y) Right Angled	64	a + b fully loaded	10 8458 064 031 025	10 8458 064 031 049
	32	a loading only	10 8458 064 031 027	10 8458 064 031 051
	62 + 2	fully loaded + ground	10 8458 064 131 025	10 8458 064 131 049

NB: Alternative Prefix Variations Available: 12, please refer to Page 10.
Additional Plating & Loading Variations: Please contact your local AVX sales office or distributor.

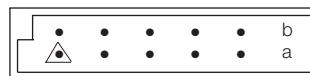
LOADING DESCRIPTION



64 contacts, rows a + b fully loaded



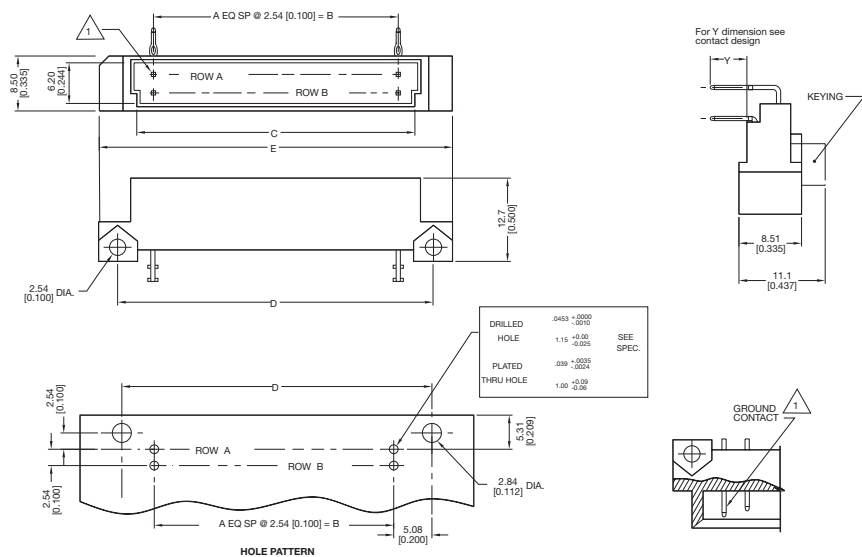
32 contacts, row a loading only



62 + 2 contacts, fully loaded with ground in A1 & A32

△ denotes ground pin

DIMENSIONS



Assembly Tool: 06 8458 9261 00 000 (see page 67)

Unit: millimeters (inches)

No. Contact Positions	Contact Rows	A	B	C	D	E
64	2 (2 x 32)	31	78.74 (3.100)	85.19 (3.354)	88.90 (3.500)	93.98 (3.700)